

Image shown may not reflect actual transmission

NUMBER OF GEARS

# Gears (Forward/Reverse)	4F / 4R
---------------------------	---------

RATINGS

Rated Input Power	259 hp / 193 kW
Rated Input Torque	647 ft-lb / 877 N-m
Rated Input Speed	2,100 rpm
Maximum Input Speed	2,275 rpm
Minimum Input Speed	1,000 rpm

ROTATION

Input Rotation	SAE J824 Standard
Output Rotation	Forward, Same as Input Reverse, Opposite Input

MOUNTINGS

Input Connection (Flywheel)	SAE #2 Wet Flywheel Housing with Spline Converter Drive
Output Connection (Yoke)	1710 Round Output Yoke

ELECTRICAL SYSTEM

Electrical System	24V
-------------------	-----

TORQUE CONVERTER

Series	TC36-ESF
Stall Torque Ratio at Rated Speed	2.443

CLUTCHES

Clutches	Electro-Hydraulic Fully Modulated, Oil Cooled, Multidisc
----------	----------------------------------------------------------

Clutch Modulation Control	Cat® Electronic Clutch Pressure Control (ECPC)
---------------------------	------------------------------------------------

INSTALLATION CONNECTIONS

Installation Connections	2 Cooler Lines 1 Electrical
--------------------------	--------------------------------

OIL SYSTEM

Oil	Cat Transmission/ Drive Train SAE 30 Transmission Drive Train Oil-4 (or Equivalent)
Max Oil Temperatures Continuous Operating	195°F / 90°C 210°F / 99°C
Hydraulic Fill Capacity	13 gal / 50 L
Filter Type	6 Micron Synthetic Cartridge Mounted on Transmission Output

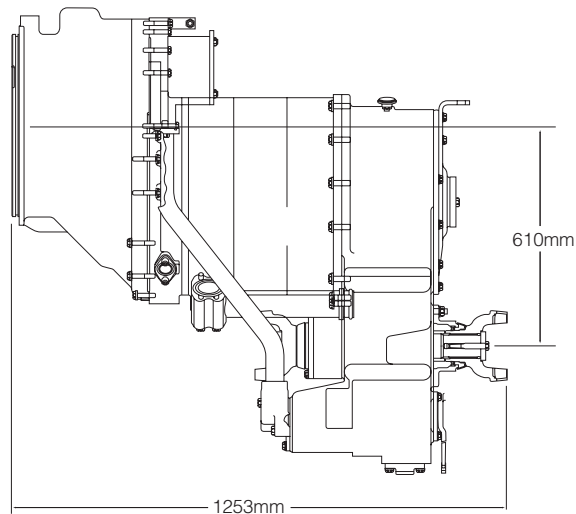
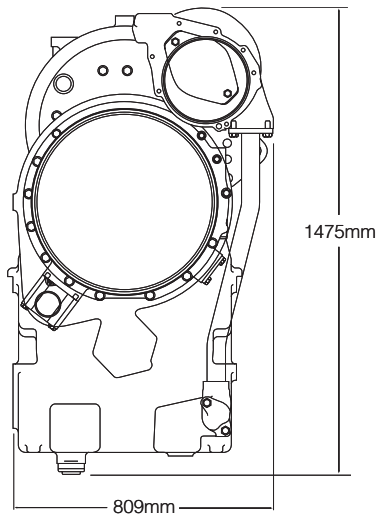
GEARS

Transmission Gearing Type	Helical, Straight Spur Planetary
<i>*Gear Ratios</i>	
1F	5.6165
2F	3.1428
3F	1.7751
4F	1.0000
1R	-4.9144
2R	-2.7500
3R	-1.5532
4R	-0.8750

WEIGHT

**Approximate Dry Weight*

Weight without Retarder **2,300 lbs / 1,040 kg**



OEM Solutions Group

100 N.E. Adams Street
Peoria, IL U.S.A. 61629-9310
Phone: 309.636.1100
Fax: 309.636.1087

Rm 805, Aetna Tower
107 Zun Yi Road
Shanghai, China P.C. 200051
Tel: 86.21.6219.2723. ext. 131
Fax: 86.21.6237.5494
Mobile: 86.139.0175.1749

ISO9001 Certified

P.O. Box 6000
1211 Geneva 6, Switzerland
Phone: 41.22.849.4217
Fax: 41.22.849.4075
Telex: 413323

AIG Aoyama Building 8F
2-11-16 Minami Aoyama,
Minato-kui
Tokyo, Japan 107-0062
Tel: 03.5786.3858
Fax: 03.5786.3860

e-mail: OEMSolutions@Cat.com

Room 1701 China Life Tower
No. 16 Chaoyangmenwai Avenue
Chaoyang District, Beijing 100020
Tel: 011.86.10.85253636 ext. 284

1 Caterpillar Drive
Private Mail Bag 4
Tullamarine
Victoria 3043 Australia
Tel: 61.3.9953.9365
Fax 61.3.9953.9530

www.OEMSolutions.com

7 Tractor Road, Jurong Town
Singapore 627968
Tel: 65.6.662.8345
Fax: 65.6.662.8347