



Picture shown may not reflect actual configuration

## Features

### Proven Energy Yield

- Up to 19.4% efficiency
- -0/+5W positive power tolerance
- Linear shading response enables true-tracking in single-axis tracking systems, generating more energy than conventional systems that require backtracking.

### Higher Efficiency

The Performance Series design minimizes white space between solar cells, eliminates reflective metal lines on the cells, and lowers electrical resistance between cells, increasing efficiency compared to conventional commercial modules.

### Increased Energy Production

- Linear shading response can generate more energy than conventional mono-crystalline modules.

### Anti-PID

- Anti-PID (performance induced degradation) techniques for processing solar cells and encapsulation of modules applied.

### Robust Frame

- Robust module construction enables installed module to withstand 2400Pa wind load and up to 5400Pa snow load

## PVC395 MP Mono Crystalline PERC Photovoltaic (PV) Module

The mono crystalline PERC (passivated emitter rear cell) photovoltaic modules provide excellent performance with low temperature coefficient. The modules provide high efficiency and power per module, maximizing energy capture.

### Tests

- Standard Tests: UL1703 (Type 2 Fire Rating), IEC 61215, IEC 61730 Rated to 1500V
- ISO 9001:2008: ISO Quality Management System
- ISO 14001:2004: ISO Environment Management System
- OHSAS 18001: 2007 Occupational Health and Safety
- IEC62716 Ammonia Test
- 10.1109/PVSC.2013.6744437 Desert Test
- IEC 61701 (maximum severity) Salt Spray Test
- Potential-induced degradation free: 1500V

### Certifications

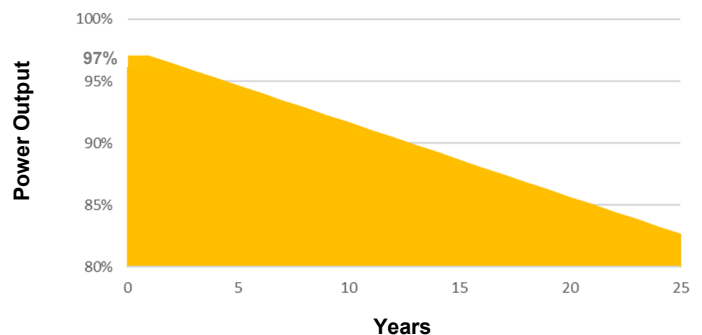
- Available listings: TUV

### Worldwide Product Support

- Cat dealers have over 1,800 dealer branch stores operating in over 200 countries
- Your local Cat dealer provides extensive pre-sale and post-sale support, including design consultation, service contracts, and all maintenance agreement.

### Module Warranty

- 25-year warranty for materials and processing
- 25-year power assurance program for linear power output. Produces more than 97% power in the first year, then declining by 0.6% per year, ending at 82.6% power after 25 years.



**Module Rating at Standard Test Conditions (STC)**

1000W/m<sup>2</sup>, AM 1.5, 25°C

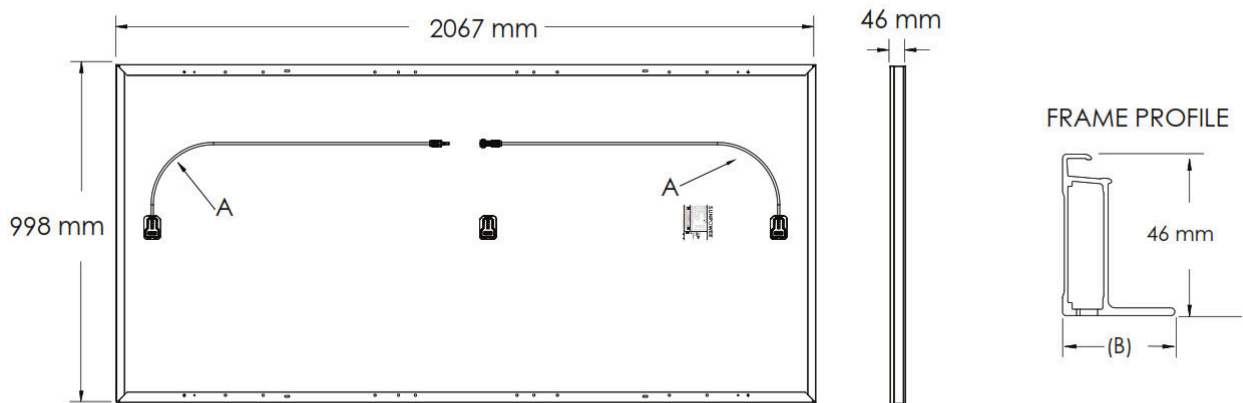
Nominal Power (-0/+5W)	P <sub>MPP</sub> (W)	395
Voltage at P <sub>MAX</sub>	V <sub>MPP</sub> (V)	43.2
Current at P <sub>MAX</sub>	I <sub>MPP</sub> (A)	9.14
Open Circuit Voltage	V <sub>OC</sub> (V)	52.5
Short Circuit Current	I <sub>SC</sub> (A)	9.72
Module Efficiency	%	19.1
Maximum System Voltage	V <sub>SYS</sub> (V)	1500
Maximum Series Fuse	I <sub>CF</sub> (A)	15

**TEMPERATURE CHARACTERISTICS**

Module Operating Temperature Range	(°C)	-40 to +85
Temperature Coefficient of P <sub>MPP</sub>	T <sub>K</sub> (P <sub>MPP</sub> )	-0.37%/°C
Temperature Coefficient of V <sub>OC</sub>	T <sub>K</sub> (V <sub>OC</sub> )	-0.29%/°C
Temperature Coefficient of I <sub>SC</sub>	T <sub>K</sub> (I <sub>SC</sub> )	+0.05%/°C

**MECHANICAL DETAILS**

Length	2067 mm (81.4 in)
Width	998 mm (39.3 in)
Thickness	46 mm (1.8 in)
Weight	23.1 kg (51.0 lbs)
Area	2.06 m <sup>2</sup>
Leadwire	4 mm <sup>2</sup> , 1000 mm
Connectors (Polymetric)	ZJRH Renhe Solar 05-8
Cell Type	Shingled Monocrystalline PERC
Frame Material	Class 2 silver anodized
Tempered Glass	High-transmission tempered anti-reflective
Impact Resistance	1 inch (25 mm) diameter hail at 52 mph (23 m/s)
Load Rating	2400 Pa wind load front & back 5400 Pa snow load front



- (A) Portrait Cable: 1000 mm +/-15 mm
- (B) Long Side: 32 mm  
Short Side: 24 mm

Materials and specifications are subject to change without notice. CAT, CATERPILLAR, their respective logos, "Caterpillar Yellow," the "Power Edge" trade dress as well as corporate and product identity used herein, are trademarks of Caterpillar and may not be used without permission.